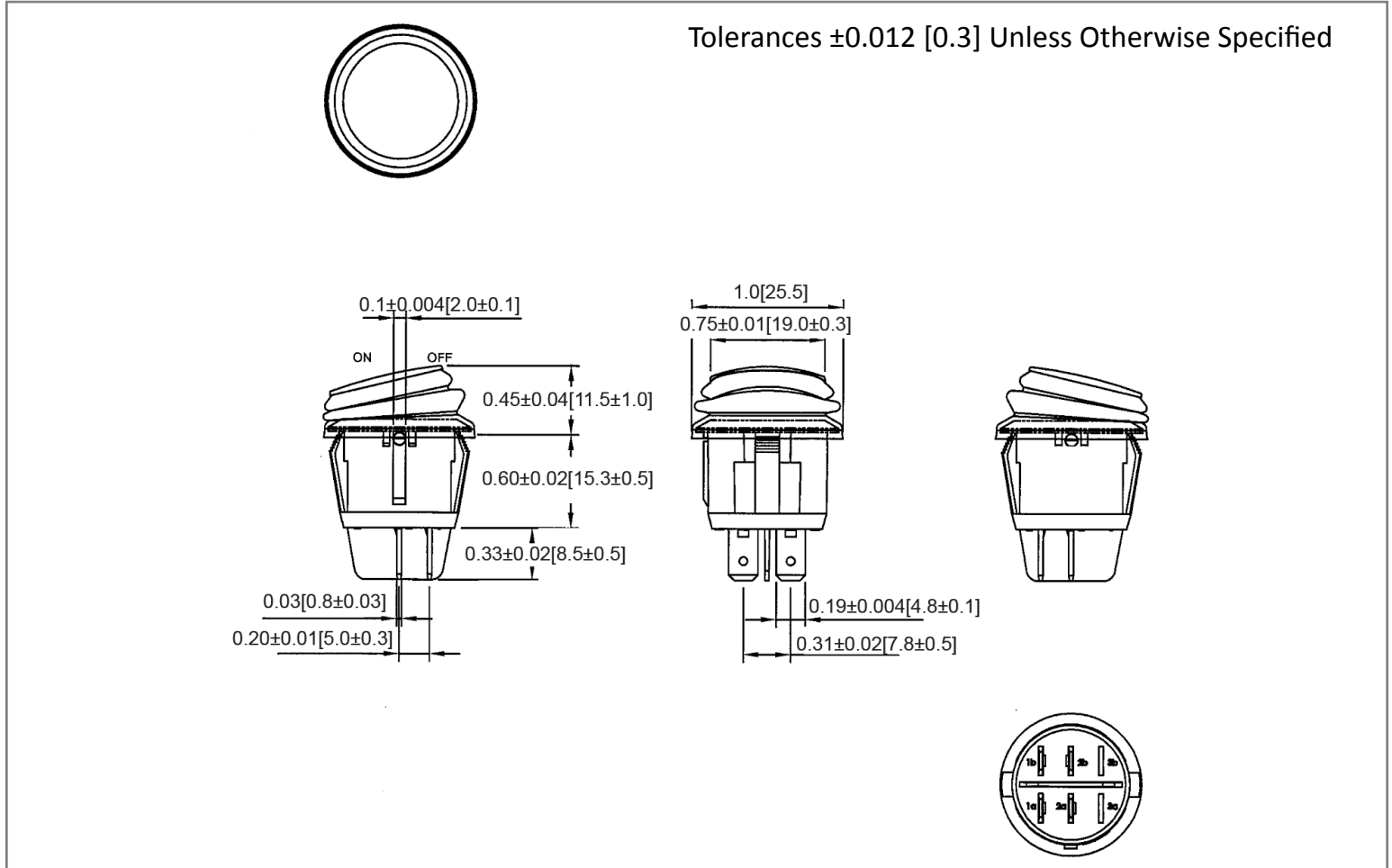
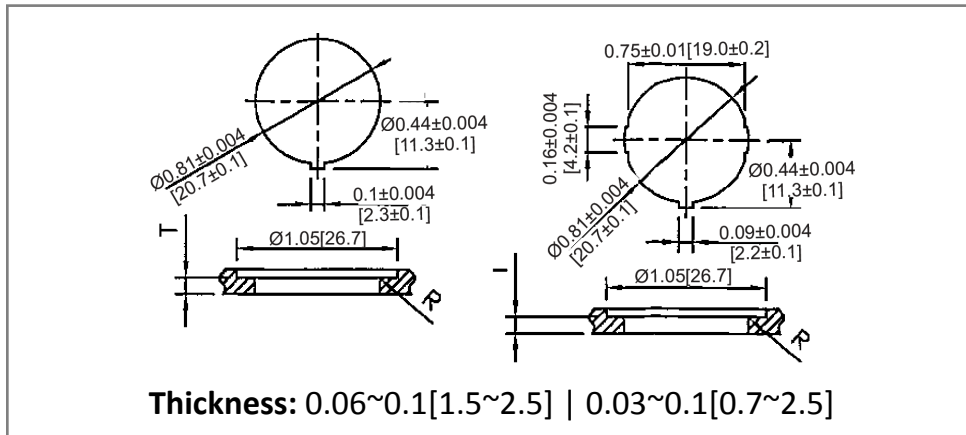


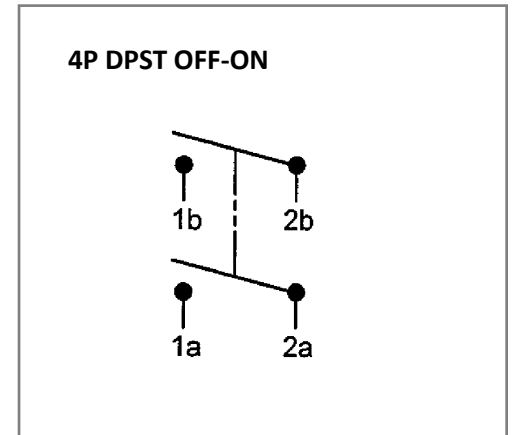
## Mechanical Dimensions: Inches [mm]



## Mounting Hole



## Circuit Diagram



## Electrical Specifications

Rating	16A 125V AC, 10A 250V AC 10(4)A 125/250V AC
Contact Resistance	50m ohm Max
Insulation Resistance	DC 500V 100M ohm Min
Dielectric Strength	AC 1500V 1 minute
Operation Temperature	-25°C~85°C

## Material Specifications

Frame	Black, Nylon #66 (94-V2)
Actuator	Black, PC (94-V2)
Waterproof	IP65
Waterproof rubber	Black, Silicone

# Rocker Switch

# RA4-2A-AC-2-B



Rev	Date of issue	Revision Notes	Designed	Approved
B	11-30-2021	Initial Drawing	RC	OF